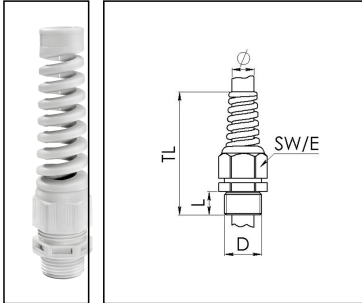


## SKVS 9

Cable gland with bend protection, polyamide



Product illustrations are exemplary and may differ from the chosen product. Further variants and individual customization, we will gladly provide you on request.



<b>Material cable gland</b>	Polyamide
<b>Material sealing gasket</b>	EPDM
<b>Protection class</b>	IP69, IP68 (5 bar 30 min)
<b>Temp. range min</b>	-20 °C
<b>Temp. range max</b>	80 °C
<b>Glow wire test</b>	750 °C
<b>Thread type</b>	PG
<b>Ø Connection thread D</b>	9
<b>Length screw-in thread L</b>	8 mm
<b>Ø cable diameter min</b>	4 mm
<b>Ø cable diameter max</b>	8 mm
<b>Key width SW</b>	19 mm
<b>Collar diameter (E)</b>	21 mm
<b>Total length TL</b>	80 mm
<b>Type of cable anchorage</b>	A
<b>Product Color</b>	RAL 7035
<b>Type</b>	SKVS 9
<b>Order no. RAL 7035</b>	10060616
<b>Packing unit</b>	100
<b>ETIM-Classification</b>	EC000441

Recommended accessories

<b>MUG 9</b>	10060671
--------------	----------

<b>ADR 9</b>	10061420
<b>RDE 16</b>	10062184
<b>MFD 16/02/040</b>	10064393
<b>MFD 16/03/021</b>	10101014

09.11.2016

